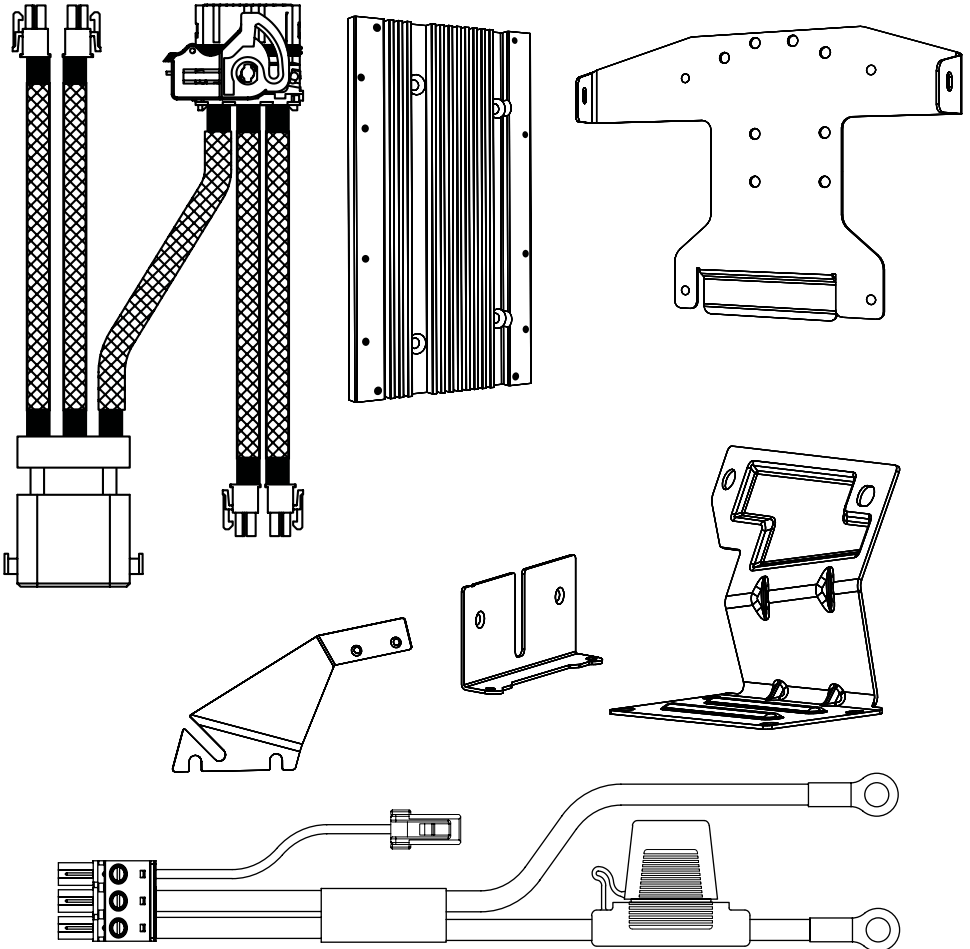




PrecisionPower®

Absolutely State of the Art Mobile Audio™

Amplifier Installation Kit for Harley Davidson® Touring Motorcycles



AMP INSTALLATION FOR STREET GLIDE & ULTRA

WINDSHIELD & OUTER FAIRING REMOVAL

1. Remove three outer fairing bolts using a T27 Torx screw driver. The three outer fairing bolts are located below the windshield. Remove the windshield, store it and the screws removed in a safe place for re-installation later.



TIP: Reinstalling the center screw after removing the windshield will prevent the outer fairing from falling during the next step. A few turns by hand will be sufficient.

2. Remove four inner fairing bolts using a T27 Torx screw driver. The four inner fairing bolts are located adjacent to each turn indicator mounting bracket and below/adjacent to each speaker. Store these screws in a safe place for re-installation later.



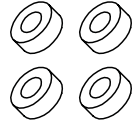
3. While straddling the front wheel fender, grasp the outer fairing, remove the center outer fairing bolt from the previous step, then gently pull the fairing apart from the bike. With the fairing slightly pulled away from the bike, disconnect wire harness for the headlamp and any other accessories. Lay the fairing on a protected flat surface to prevent damage.

AMP INSTALLATION FOR STREET GLIDE & ULTRA

BRACKET & AMPLIFIER INSTALLATION

1. Remove four T25 screws that attach the fairing support bracket to the head unit chassis.

2. Adhere four self-adhesive plastic spacers provided with this kit to the four holes of the fairing support bracket that the head unit screws passed through.



3. Position the aluminum bracket in bag labeled HD14.SGB over the fairing support bracket and head unit. Align the four holes labeled **HEAD UNIT** indicated by a line with * to the corresponding holes of the fairing support bracket and head unit. The edge labeled **HEADLIGHT** should face the headlight, the edge labeled **GAUGES** should face the gauge cluster. Secure the aluminum bracket to the head unit using four machine screws and 3mm hex key supplied with this kit through the fairing support bracket.



4. Align MAA4.400 amplifier to screw holes of the aluminum bracket labeled **MAA4.400** indicated by a line with arrow. Using four small screws and the 2.5mm hex key supplied in this kit, attach MAA4.400 to the heatsink.



T-HARNESS INSTALLATION w/ OEM HEAD UNIT

1. Disconnect the wire harness from the head unit by pressing in on the locking lever catch pin, then slide the lever open to unlock the connector from the head unit.

2. Insert the male connector removed from the head unit into the female connector of the T-harness included with this kit. Slide the locking level of the OEM male connector over until the catch pins locks the two connectors together.

3. Insert the male connector of the T-harness into the female connector of the head unit. Slide the locking level of the male connector over until the catch pin locks onto the female connector of the head unit.

4. Connect the 4-pin front & rear amplifier input harnesses to the high level input of MAA4.400. Connect the 8-pin speaker output harness to the speaker output of MAA4.400. *If using an alternate amplifier, cut the 4-pin & 8-pin harnesses to connect the corresponding speaker level input & speaker output wires to the amplifier as directed.*

White	(front left/ch1 +)	White/black	(front left/ch1 -)
Grey	(front right/ch2 +)	Grey/black	(front right/ch2 -)
Green	(rear left/ch3 +)	Green/black	(rear left/ch3 -)
Purple	(rear right/ch4 +)	Purple/black	(rear right/ch4 -)

AMP INSTALLATION FOR STREET GLIDE & ULTRA

T-HARNESS INSTALLATION w/ SOUNDSTREAM RESERVE HDHU.14 AFTERMARKET HEAD UNIT

1. Unlock the OEM wire harness from the female connector of the wire harness provided with HDHU.14 by pressing firmly on the locking lever catch pin of the male connector. While pressing the catch pin, slide the lever open to unlock the connectors. Remove the male connector of the OEM wire harness from the female connector of the wire harness of HDHU.14.

2. Insert the male connector of the OEM wire harness into the female connector of the T-harness included with this kit. Slide the locking lever of the OEM male connector closed until the catch pins locks the two connectors together.

3. Insert the male connector of this T-harness into the female connector of the wire harness provide with HDHU.14. Slide the locking lever of the male connector of this T-harness over until the catch pins locks the two connectors together.

Note: If the T-harness of PrecisionPower's active saddlebag subwoofers is already connected to HDHU.14, disconnect the male connector of the OEM wire harness from the female connector of the subwoofer T-harness. Lock the male connector of the T-harness in this install kit to the female connector of the wire harness of HDHU.14. Lock the female connector of the T-harness in this install kit to the male connector of the OEM wire harness.

4. Connect the 4-pin front & rear amplifier input harnesses to the high level input of MAA4.400. Connect the 8-pin speaker output harness to the speaker output of MAA4.400. If using an alternate amplifier, cut the 4-pin & 8-pin harnesses to connect the corresponding speaker level input & speaker output wires to the amplifier as directed.

White	(front left/ch1 +)	White/black	(front left/ch1 -)
Grey	(front right/ch2 +)	Grey/black	(front right/ch2 -)
Green	(rear left/ch3 +)	Green/black	(rear left/ch3 -)
Purple	(rear right/ch4 +)	Purple/black	(rear right/ch4 -)

AMPLIFIER TUNING

Follow instructions in the owner manual of MAA4.400 for tuning instructions. If using an alternate amplifier, follow instructions in its owner manual for tuning instructions.

AMP INSTALLATION FOR STREET GLIDE & ULTRA

POWER CABLE INSTALLATION

1. Remove the seat strap & seat screws with a Phillips screw driver. Store the seat and the screws removed in a safe place for re-installation later.
2. Set aside the ECM tray by removing its two screws with a 1/2" socket. Additional harnesses/connectors that are attached to the tray may need to be removed to set the tray aside. Set the bolts aside for re-instillation later.
3. Remove the ground cable bolt & cables from the battery with a 10mm socket. Set the bolts aside for re-instillation later.
4. Disconnect the wire harness(s) from the gas tank, & pull the vent tubes out from behind the tank. Fold them aside.
5. Disconnect the fuel line from the fuel tank by pressing up on the sleeve & gently pulling the line out.
6. Remove two tank mounting bolts near the forks using a 1/2" socket. One bolt is on each side of the tank under a rubber cover. Set the bolts & rubber cover aside for re-instillation later.
7. Remove two additional two tank mounting bolts at the back of the tank using a 1/2" socket. Set the bolts aside for re-instillation later.
8. Remove the gas tank by lifting up. Set it aside in a safe place for re-installation later.
9. Remove the plastic cover over the wire chase by pressing in on the various holding tabs on either side using a flat head screw driver. Cut any wire/cable ties that may also be used. Set the wire chase cover aside for re-instillation later.
10. Route the power/ground cable from the battery compartment, in the wire chase, and through the fairing to the amplifier location. Use the supplied cable ties to loosely secure the power/ground wire to the frame or adjacent cables in the fairing.
11. Connect the power/ground wire connector to the power/ground input of MAA4.400. If using an alternate amplifier, remove the power/ground cables and amplifier turn-on wire from the connector with a small Phillips screw driver. Connect the power/ground cables and amplifier turn-on wire to the amplifier as directed.

AMP INSTALLATION FOR STREET GLIDE & ULTRA

POWER CABLE INSTALLATION (continued)

12. Connect the blue amplifier turn-on wire to any available Parts & Accessories connector near-by in the fairing. If using Soundstream Reserve HDHU.14 aftermarket head unit, a matching amplifier turn-on connector is available on its wire harness

13. Remove the power cable bolt & cables from the positive terminal of the battery with a 10mm socket. Add the amplifiers power cable with all other power cables & re-install the power cable bolt to the battery positive terminal.

14. Add the amplifier's ground cable with all other ground cables & re-install the ground cable bolt removed in step three to the battery's negative terminal using a 10mm socket. Tighten any loosely secured wire/cable ties after all connections are complete.

15. Re-install the wire chase cover removed in step 9 by snapping it into the locking tabs on either side of the wire chase.

16. Re-install the gas tank, securing it to the frame using the bolts removed in steps six & seven & a 1/2" socket.

17. Re-connect the gas line to the gas tank by pressing up on the sleeve, while gently inserting the line back into the sleeve. Release the sleeve to secure the fuel line. Check for any leaking of fuel. If the line is leaking, remove the fuel line as described in step five and repeating this step until the fuel line is secure.

18. Chase the fuel tank vent tubes behind the fuel tank & reconnect the fuel tank wire harness(es) disconnected in step four.

19. Reinstall the ECM tray using the two bolts removed in step two with a 1/2" socket. Reattach any wire harness that were originally attached to the ECM tray.

20. Reinstall the seat to the fender & the seat strap to the fender brackets using the Phillips screws removed in step one.

AMP INSTALLATION FOR STREET GLIDE & ULTRA

WINDSHIELD & OUTER FAIRING INSTALLATION

1. While holding the outer fairing, straddle the front wheel fender. Reconnect wire harness for the headlamp and any other accessories previously disconnected. Gently reset the outer fairing, paying attention to any cables that need to be tucked away inside. Reinstall the center outer fairing bolt removed previously.

2. Reinstall the four inner fairing bolts removed previously using a T27 Torx screw driver. The four inner fairing bolts are located adjacent to each turn indicator mounting bracket and below/adjacent to each speaker.



3. Reset the windshield and reinstall the three outer fairing bolts removed previously using a T27 Torx screw driver. The three outer fairing bolts are located below the windshield.



AMP INSTALLATION FOR ROAD GLIDE

WINDSHIELD & OUTER FAIRING REMOVAL

1. Detach each turn signal / indicator light by removing the adjacent hex socket screw, using a 3/16" hex head driver. Store these screws in a safe place for re-installation later.



2. Remove four inner fairing bolts using a T25 Torx driver. Two inner fairing bolts are located below each glove box, adjacent to each wind deflector. Store these screws in a safe place for installation later.



3. Remove four windshield bolts using a 1/8" hex driver or Phillips screw driver and remove the windshield. Also remove factory vent by pulling straight up on the vent. The vent comes snapped in place. Store the screws in a safe place for installation later.



4. After removing the vent, locate and unplug the 3-pin wire harness for the left and right side turn signal indicator. These harness' are adjacent to each side of the head unit.



5. Remove an additional inner fairing bolt with a T27 Torx or 5/32" hex driver, one behind each speaker grill. Remove the speaker grill by wedging a plastic/nylon pry tool between the inner fairing and grill edge, popping it outward. Once these bolts are removed, the outer fairing will be detached from the inner fairing. Store these screws in a safe place for installation later.



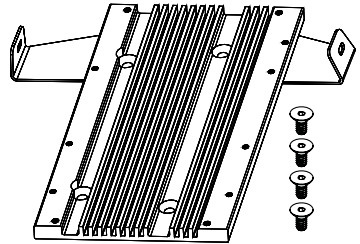
6. While straddling the front wheel fender, grasp the outer fairing. Gently pull the fairing apart from the bike. With the fairing slightly pulled away from the bike, disconnect wire harness for the headlamp or any other accessories. Lay the fairing on a protected flat surface to prevent damage.

AMP INSTALLATION FOR ROAD GLIDE

BRACKET & AMPLIFIER INSTALLATION

1. Remove two wire harnesses that attach to the headlight housing & fold them aside.
2. Remove four screws attaching the headlight to the frame using a 3/16" hex screw driver tool. Store these screws in a safe place for re-installation later.
3. Pull the headlight assembly outwards, disconnect its wire harness, then set the headlight on a protected flat surface to prevent damage.

4. Place the included metal bracket in bag HD14.RGB to the backside of the aluminum heatsink in bag HD14.SGB. Align the metal bracket with holes marked 2014+ Road Glide, indicated by a line with arrow. Using four small flush head screws and 2mm hex key supplied in this kit, attach the two together.



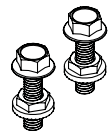
5. Align MAA4.400 amplifier to screw holes on front of the aluminum bracket labeled **MAA4.400**, indicated by a line with arrow. Attach MAA4.400 to the heatsink using four small button-head screws and the 2.5mm hex key supplied in this kit.



6. Follow instructions in the owner manual of MAA4.400 for amplifier tuning instructions.

7. Connect the 4-pin front & rear amplifier input harnesses of the T-harness supplied with this kit to the high level input of MAA4.400. Bundle the remaining cables and fold aside to be used later.

8. Turn the assembly over & slide it under the head unit, high level input end first. Use the supplied nuts & bolts with 5/16" socket and wrench to attach the metal bracket to corresponding holes of the head unit support bracket.



9. Align the headlight assembly in the fairing & reconnect its wire harness.

10. Reattach the headlight to the fairing bracket with the four screws removed in step 3, using a 3/16 hex screw driver.

11. Reattach the two wire harnesses removed in step 1 to the headlight housing.

AMP INSTALLATION FOR ROAD GLIDE

T-HARNESS INSTALLATION w/ OEM HEAD UNIT

1. Disconnect the wire harness from the head unit by pressing in on the locking lever catch pin, then slide the lever open to unlock the connector from the head unit.
2. Insert the male connector removed from the head unit into the female connector of the T-harness included with this kit. Slide the locking level of the OEM male connector over until the catch pins locks the two connectors together.
3. Insert the male connector of the T-harness into the female connector of the head unit. Slide the locking level of the male connector over until the catch pin locks onto the female connector of the head unit.
4. Connect the 4-pin front & rear amplifier input harnesses to the high level input of MAA4.400. Connect the 8-pin speaker output harness to the speaker output of MAA4.400. *If using an alternate amplifier, cut the 4-pin & 8-pin harnesses to connect the corresponding speaker level input & speaker output wires to the amplifier as directed.*

White (front left/ch1 +)
Grey (front right/ch2 +)
Green (rear left/ch3 +)
Purple (rear right/ch4 +)

White/black (front left/ch1 -)
Grey/black (front right/ch2 -)
Green/black (rear left/ch3 -)
Purple/black (rear right/ch4 -)

AMP INSTALLATION FOR ROAD GLIDE

T-HARNESS INSTALLATION w/ SOUNDSTREAM RESERVE HDHU.14 AFTERMARKET HEAD UNIT

1. Unlock the OEM wire harness from the female connector of the wire harness provided with HDHU.14 by pressing firmly on the locking lever catch pin of the male connector. While pressing the catch pin, slide the lever open to unlock the connectors. Remove the male connector of the OEM wire harness from the female connector of the wire harness of HDHU.14.

2. Insert the male connector of the OEM wire harness into the female connector of the T-harness included with this kit. Slide the locking lever of the OEM male connector closed until the catch pins locks the two connectors together.

3. Insert the male connector of this T-harness into the female connector of the wire harness provide with HDHU.14. Slide the locking lever of the male connector of this T-harness over until the catch pins locks the two connectors together.

Note: If the T-harness of PrecisionPower's active saddlebag subwoofers is already connected to HDHU.14, disconnect the male connector of the OEM wire harness from the female connector of the subwoofer T-harness. Lock the male connector of the T-harness in this install kit to the female connector of the wire harness of HDHU.14. Lock the female connector of the T-harness in this install kit to the male connector of the OEM wire harness.

4. Connect the 4-pin front & rear amplifier input harnesses to the high level input of MAA4.400. Connect the 8-pin speaker output harness to the speaker output of MAA4.400. If using an alternate amplifier, cut the 4-pin & 8-pin harnesses to connect the corresponding speaker level input & speaker output wires to the amplifier as directed.

White	(front left/ch1 +)	White/black	(front left/ch1 -)
Grey	(front right/ch2 +)	Grey/black	(front right/ch2 -)
Green	(rear left/ch3 +)	Green/black	(rear left/ch3 -)
Purple	(rear right/ch4 +)	Purple/black	(rear right/ch4 -)

AMPLIFIER TUNING

Follow instructions in the owner manual of MAA4.400 for tuning instructions. If using an alternate amplifier, follow instructions in its owner manual for tuning instructions.

FAIRING INSTALLATION, ROAD GLIDE

1. While holding the outer fairing, straddle the front wheel fender. Gently align the outer fairing to the inner fairing. Reconnect the wire harness for the headlamp or any other accessories.

2. Attach the outer fairing & inner fairing together with the inner fairing bolts previously removed adjacent to each speaker using a 5/32" hex screw driver. Snap in the corresponding speaker grill.



3. Reconnect the 3-pin wire harness for the left and right side turn signal indicator. These harness' are adjacent to each side of the head unit.



4. Reinstall the windshield to the outer fairing with the four bolts previously removed using a 1/8" hex driver or Phillips screw driver. Reattach the vent to its bracket by snapping it into place.



5. Secure the outer fairing to the inner fairing with the four bolts removed previously using a T25 Torx driver. Two inner fairing bolts are located below each glove box, adjacent to each wind deflector.



6. Reinstall each turn signal / indicator light with the bolts removed previously, using a 3/16" hex head driver.

